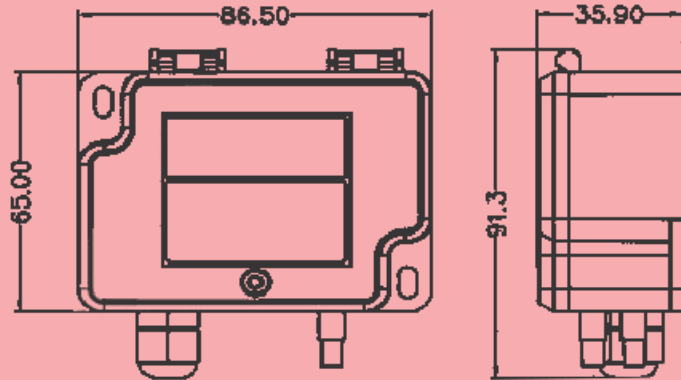




## AEROSENSE DIFFERENTIAL PRESSURE TRANSMITTER



### Application:

- Air Conditional
- Fan industrial
- Filter and fan
- Negative Pressure isolation room
- Flow of air controller
- Air pressure Controller
- Engineering of machinery and system
- Environment engineering system

### Features:

- High Accuracy Sensor
- Service in Air and non-combustible, Compatible gases.
- 4 Digital LCD Display
- Adjustable Zero set point
- Option of Response Time and Measure Range
- Light dimension, Easy Set

### Model Summary:

Model	Measuring Range 1	Measuring Range 2
EDPT100-R2-2W	0-50 PA	0-100 PA
EDPTC100-R2-2W	50-0-50 PA	100-0-100 PA
EDPT250-R2-2W	0-100 PA	0-250 PA
EDPT500-R2-2W	0-250 PA	0-500 PA
EDPT1000-R2-2W	0-500 PA	0-1000 PA
EDPT2500-R2-2W	0-1500 PA	0-2500 PA
EDPT5000-R2-2W	0-2500 PA	0-5000 PA
EDPT05IN-R2-2W	0-0.25" In. WC	0-0.5" In. WC
EDPT5IN-R2-2W	0-2.5" In. WC	0-0.5" In. WC
EDPT10IN-R1-2W	0-10" In. WC	
EDPT15IN-R1-2W	0-15" In. WC	
EDPTC05-R2-2W	0.25-0-0.25 In. WC	0.5-0-0.5 In. WC

Add - **D** to end of Model for Display  
For e.g. EDPT100-R2-2W-D

### Specification:

- Service:** Air and non-aggressive gases
- Measuring Element:** Piezoresistive
- Accuracy:** ±0.8%, or (±1% < 100 Pa)
- Power Requirements:** 10~30VDC
- Output Signal:** 4~20mA
- Max Transfer:** 32mA
- Power Consumption:**  $\frac{\text{Supply} \sim 10\text{v}}{0.020\text{A}}$
- Material:** ABS
- Power Wire:** 2 screws max 1.5mm<sup>2</sup>, M12
- Pressure Wire:** Male 5.00mm and 6.3mm
- Max Pressure:** 25kpa
- Response Time:** 0.8/4s
- Dimension Pressure:** 50kpa
- Temperature Limits:** -10~50°C
- Humidity:** 0~95%RH
- No LCD Display Weight:** 150 Grams
- With LCD Display Weight:** 290 Grams
- Water Proof:** Ip54
- Approval:** CE

